



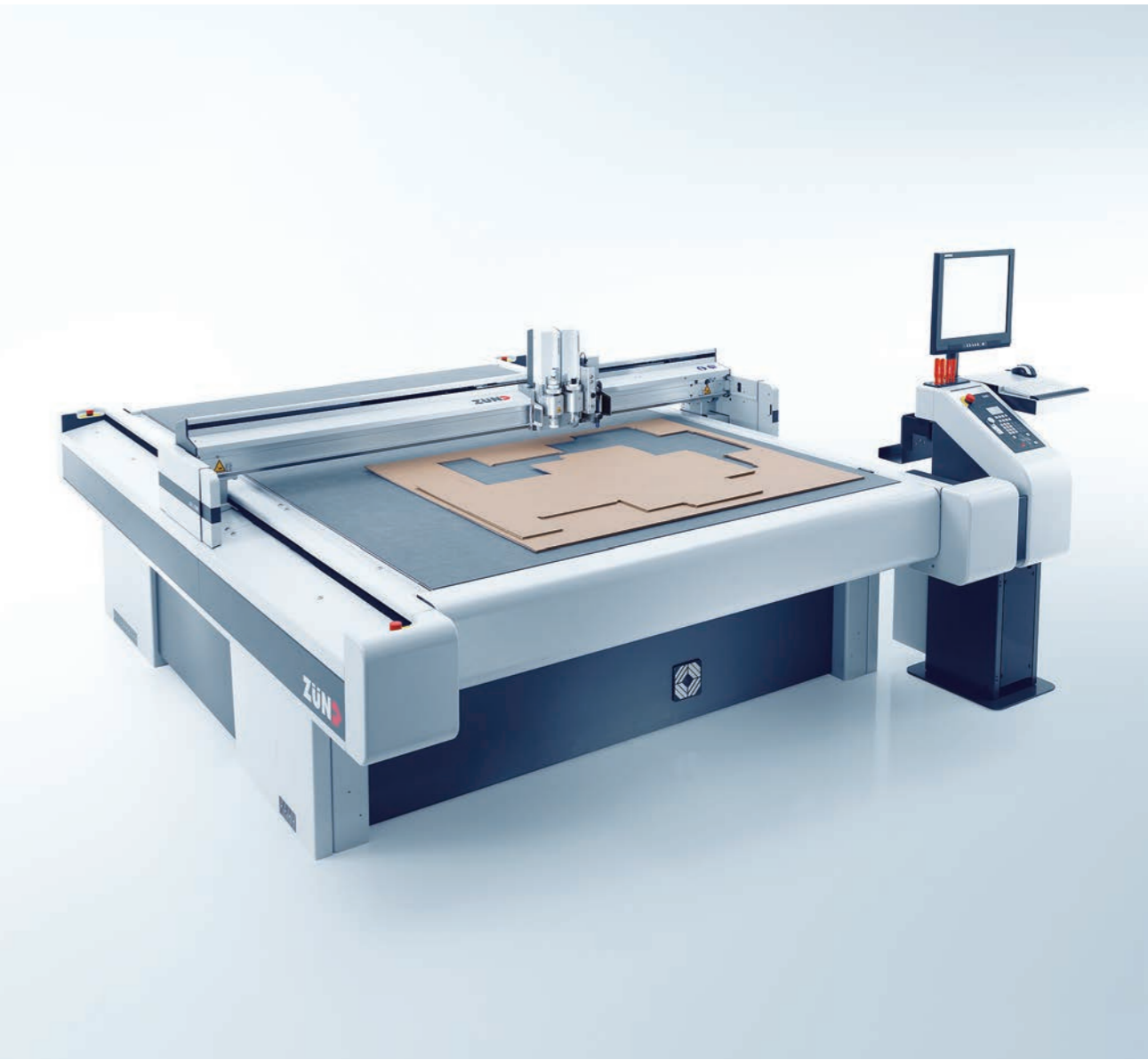
# Application Overview Packaging Industry



Your first choice in digital cutting.

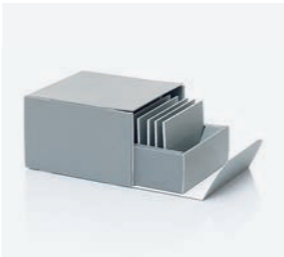


You have the ideas,  
we convert them



**Zünd Samplemaker –  
high-quality products from  
many different materials**

Creative packaging solutions are easier to sell with professional-looking samples. The differences between sampling and serial production need to be imperceptible, the quality identical. Nowadays marketing professionals expect to see printed packaging even in the sampling phase. The packaging idea must become visual and tangible reality from the very first sample. This is where the Zünd camera system provides the necessary precision for cutting preprinted materials cleanly and efficiently. Control the cutter either directly from the CAD system or with the user-friendly Zünd Cut Center Software.



Corrugated cardboard



Folding carton



Polypropylene



Foam inserts

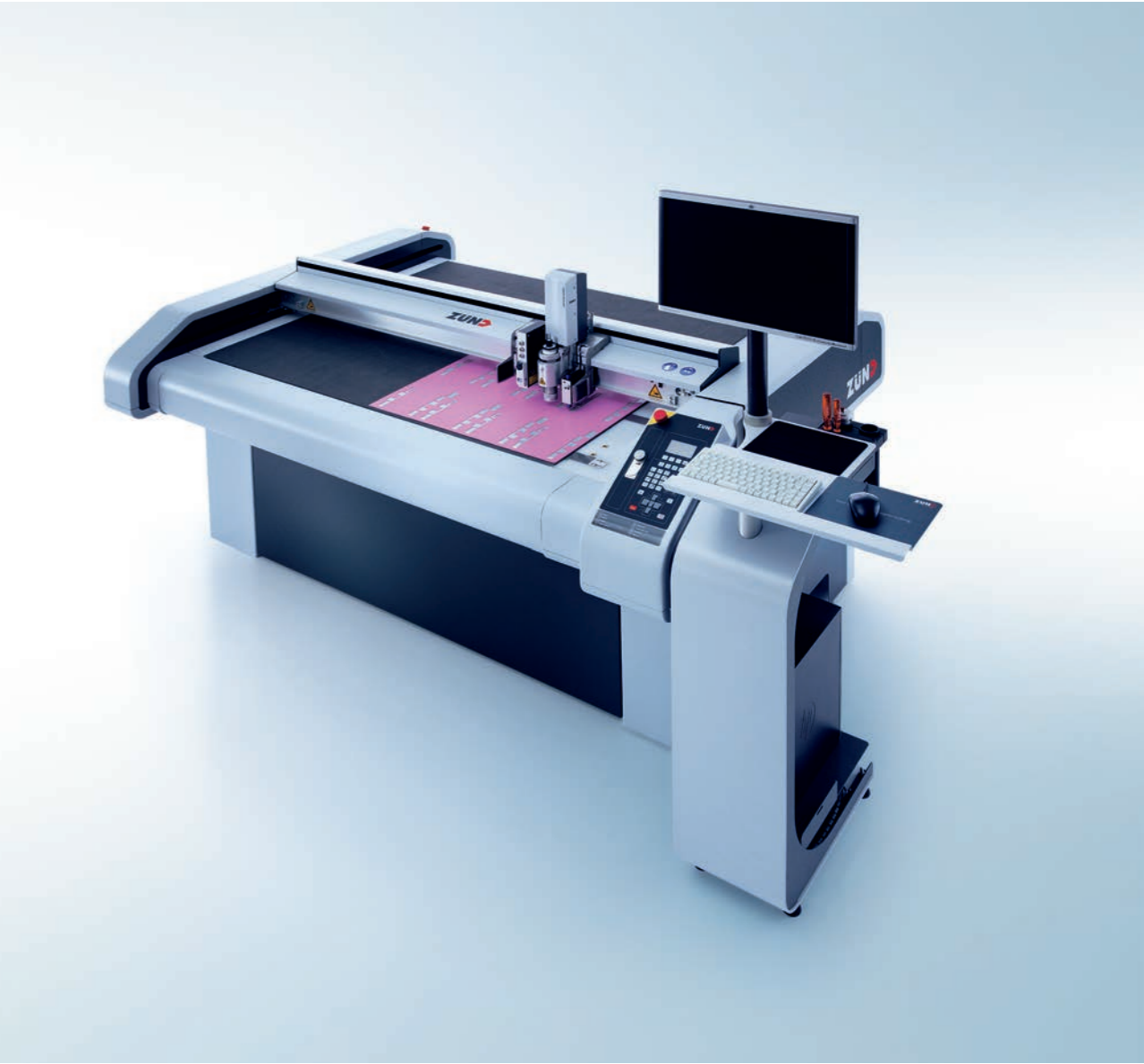


Paper-based sandwich board



Printed corrugated

# Why outsource if you can do it all in-house

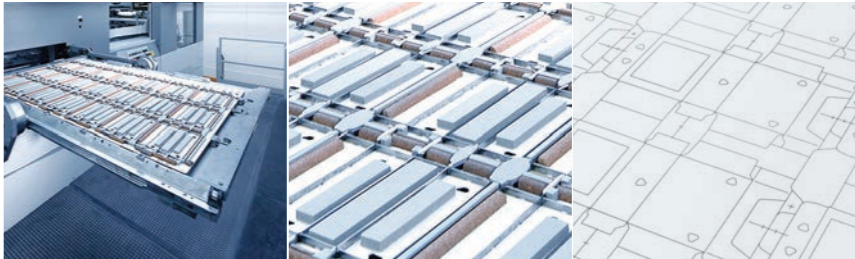


## One for all!

The Zünd cutter is designed to give you capabilities that will benefit you in many ways: from cutting photopolymer flexographic printing plates, offset printing and coating blankets; to plotting steel-rule die layouts and templates; to cutting ejection rubber and using any number of cutting, creasing, and scoring tools for sample-making. This flexibility leads to better vertical integration and greater independence from external suppliers. Better control, more profit – all from one machine.

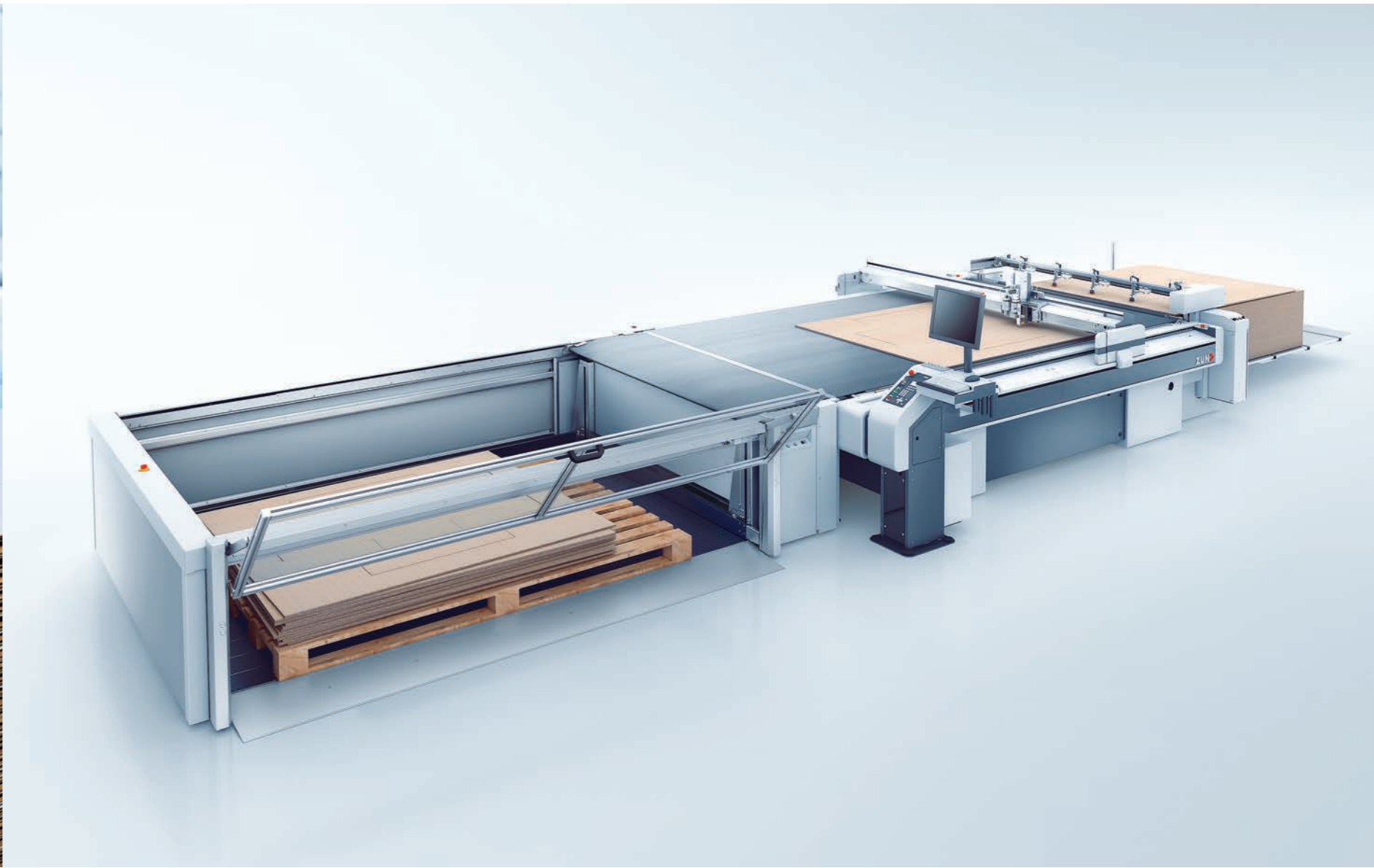


Photopolymer plates    Coating blanket    Printing blanket



Steel-rule die    Ejection rubber    Die layout

# When samples go into production



## Full automation, consistent precision and reliability

Digital, on-demand printing of short runs has become commonplace. Small series of high-quality printed pieces have to be produced in a flash. The Zünd cutting system enables you to finish preprinted materials automatically, unattended, directly from a stack. The system requires no dies yet delivers efficient, on-time finishing at highest-possible quality levels and with minimal manpower. Easy operation and efficient data workflow are Zünd's hallmark – now more than ever, with Zünd Cut Center software.



Display

Printed corrugated

Hanging displays

Unprinted corrugated

Design objects

Soft-foam display

# It's simple: The cutter that keeps up with your business

Printed short runs are the current trend, unprinted samples history. The modularity and flexibility of the Zünd cutting system keeps you in the game, ready to meet ever-changing demands head on. With options such as the camera system or the modular, automated board handling, your system is capable of growing right along with your needs. Upgradeability gives Zünd cutters lasting value, returning your investment over and over.



05/2012

**Headquarters**  
**Zünd Systemtechnik AG**  
Industriestrasse 8  
CH-9450 Altstätten  
T +41 71 757 81 00  
F +41 71 757 81 11  
info@zund.com  
www.zund.com

**ZÜND**  
swiss cutting systems